

APPLICATION

The STERIS 5085 SRT Surgical Table is a mobile, electrohydraulically operated surgical table designed to support virtually all general and bariatric surgical procedures including cardiac and vascular, endoscopic, gynecology, urology, nephrectomy, neurology, ophthalmologic and orthopedics with the addition of STERIS table accessories. The STERIS 5085 SRT Surgical Table also offers a patient transport feature designed to safely move patients on hard level surfaces within the surgical suite (from pre-operative area to operating room and from operating room to post operative recovery).

DESCRIPTION

The STERIS 5085 SRT Surgical Table is a mobile, electrohydraulically operated surgical table specifically designed to provide patient positioning flexibility required for modern surgical care facilities. The STERIS 5085 SRT Surgical Table features powered lateral tilt, Trendelenburg/Reverse Trendelenburg, Zip-Slide™ movable tabletop and adjustable height functions. This table is designed to function with:

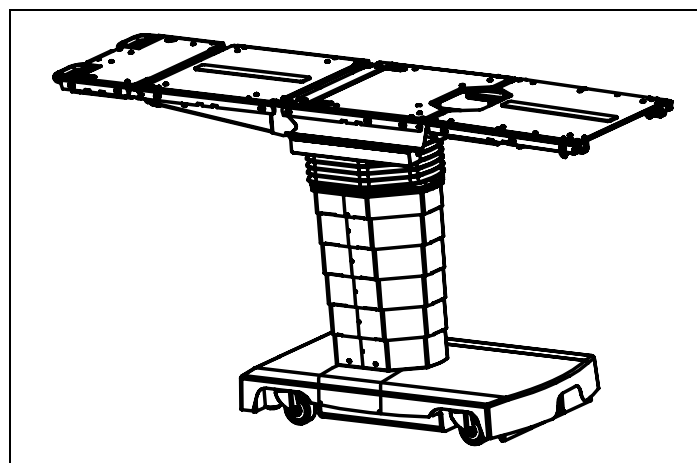
- **1200 lb (544 kg)** load; with the ability to rotate and raise/lower table but no tabletop articulation or slide.
- **1000 lb (454 kg)** load; with the ability to rotate and all patient posturing but without tabletop slide.
- **600 lb (272 kg)** load; with the the ability to rotate, all posturing, transport feature and tabletop slide.

The STERIS 5085 SRT Surgical Table is constructed of aluminum alloy, stainless steel and other high quality materials. Table is equipped with a large sliding tabletop providing maximum radiological access without patient reversing.

The STERIS 5085 SRT Surgical Table is powered by either internal battery or facility electric through use of the INTELLIPOWER® dual power system.

The table control system accepts positioning commands from three sources:

1. A primary **Hand Control**.
2. Physician-controlled **foot control** (which includes Trendelenburg Tilts, Lateral Tilts and Height functions).
3. **Backup Hand Control** functions as override to primary Hand Control. Located in table base.



(Typical only - some details may vary.)

Overall size (W x L x H):

20 x 83 x 22.8 to 42.5" (508 x 2098 x 581 to 1080 mm).

Weight:

850 lb (386 kg) approximate.

The standard table configuration includes:

- Power adjustable height, back, leg, Trendelenburg, Zip-Slide movable tabletop, radiolucent Kidney™ elevator mechanism, flex/reflex, and lateral tilt functions.
- Manual, removable, adjustable head section.
- Pendant Hand Control.
- Mobile base with hydraulically operated self-compensating floor locks.

STANDARDS

STERIS 5085 SRT Surgical Tables are in compliance with the following standards:

- **Underwriters Laboratories (UL) Standard 60601-1 2nd Edition**, as certified by ETL.
- **Standard CSA-C22.2 No. 601.1-M90**, Standard for Electro-Medical Equipment, as certified by ETL (pending).
- **IEC 60601-1: 1993, 2nd Edition, 1995, Electrical Safety**, as certified by ETL.
- **IEC 60601-1-2: 2001, Electromagnetic Compatibility**, as certified by ETL.
- **EN 55011: Group I, Class A, Emissions Testing**, as certified by ETL.

The Selections Checked Below Apply To This Equipment

PAD CONFIGURATION

- Latex-Free Pads (standard)
- FIT Pads (see SD888)

TRANSPORT CONFIGURATION INCLUDES:

- Patient Safety Barriers
- Patient Straps

ACCESSORY PACKAGES

- Standard Accessory Package
- X-Ray Top

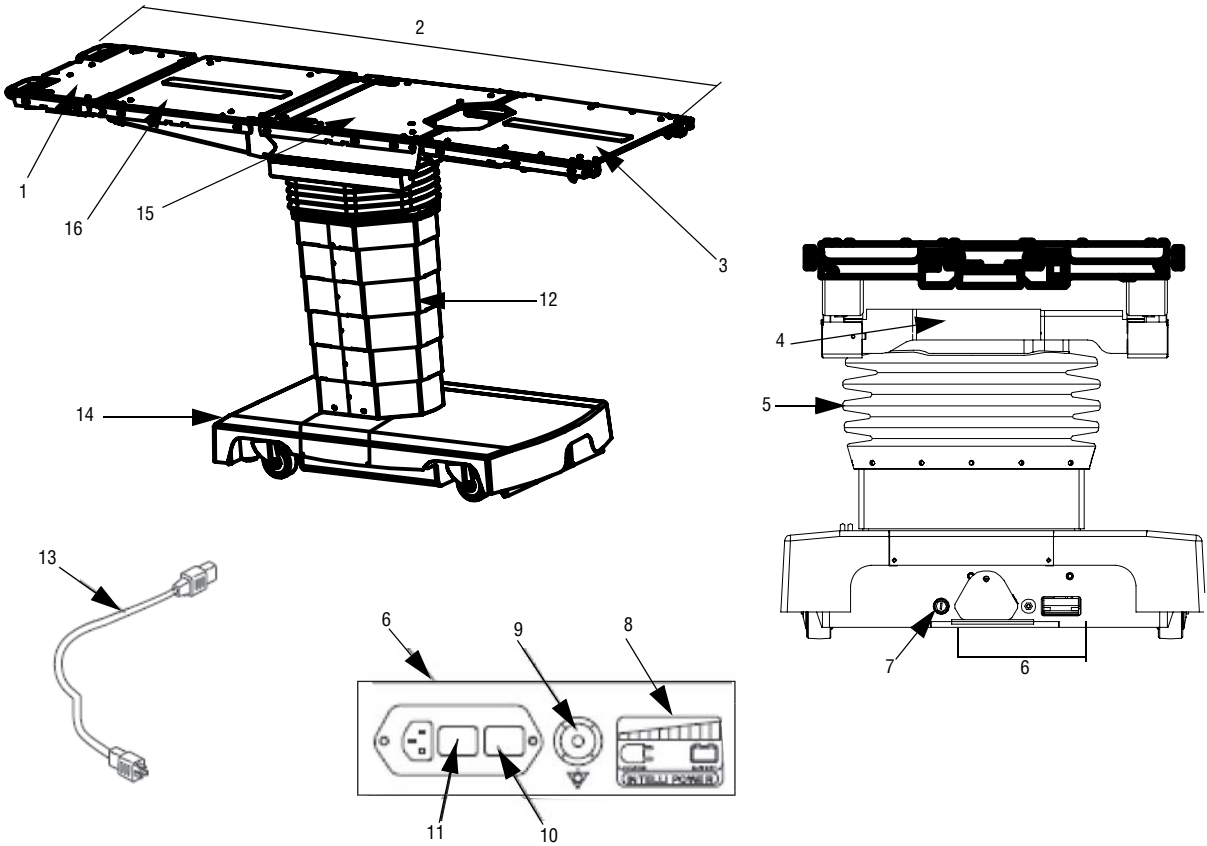
OPTIONS

- Foot Control

Item _____

Location(s) _____

Dimensions are typical -
drawing is not to scale.



KEY:

1	Drive Head Section	10	Primary Fuses
2	Tabletop	11	Main Power Switch
3	Leg Section	12	Column
4	Connection Panel	13	Power Cord
5	Bellows	14	Table Base
6	Power Panel	15	Seat Section (Sliding)
7	Battery Fuse	16	Back Section
8	INTELLIPOWER Display	17	Backup (Override) Control System (Not Shown)
9	Ground Equalization Terminal (Male Connection)	18	Foot Pump (Hydraulic) Pedal (Not Shown)

STERIS 5085 SRT Table Components (Typical)

- **IEC 60601-1 Medical Electrical Equipment Part 1 General Requirements for Safety, 2nd Edition**, as certified by ETL.
- **IEC 60601-1-6 Medical Electrical Equipment Part 1-6: Collateral Standard: Usability 2006, 2nd Edition**, as certified by ETL (pending).
- **IEC 60601-2-46 – 1st Edition**, as certified by ETL.
- **CE Marked to Medical Device Directive, 93/42/EEC** (pending).
- **Title 21 - FDA, Part 820 - Quality System Regulations**
- **Class 2 Equipment.**
- **Type B Equipment.**
- **IPX-4** (Fluid Ingress Protection), as certified by ETL.

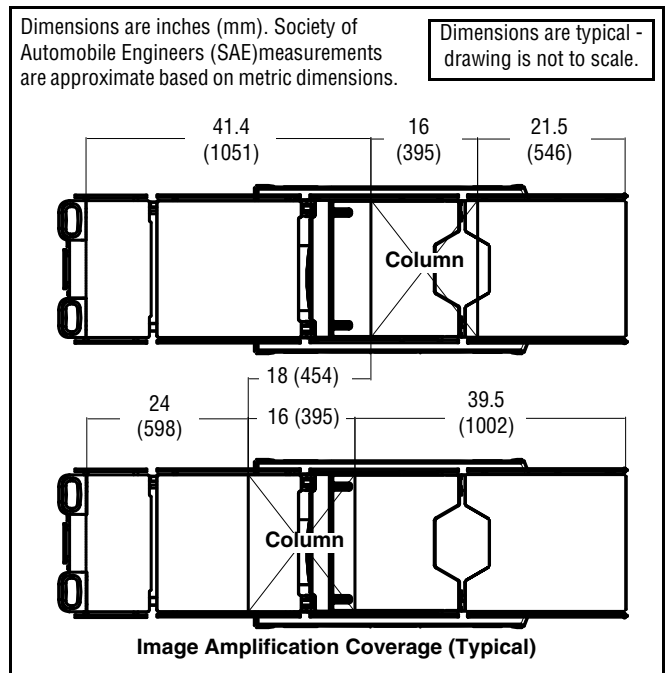
NOTE: Suitable for intermittent operation, three minutes per hour.

FEATURES

Motorized tabletop is constructed of four-sections (not including the motorized fully radiolucent Kidney elevator mechanism) and is 83" (2098 mm) long. Motorized Zip-Slide movable tabletop eliminates the need for patient reorientation and preconfiguration of the table. Unobstructed Imaging Length of 63-1/2" (1613 mm) and 100% C-Arm access without table movement is available. For attaching accessories, the tabletop sections include a standard stainless-steel side rail on both sides – located where they will not obstruct the imaging area. Hook-and-loop fastener strips on the tabletop sections permit instant application and removal of the 2" (51 mm) thick, latex-free TLT mattress pad. The radiolucent tabletop sections enable viewing of the entire anatomy (see illustration). The easily attached X-Ray top design enables cassettes to be loaded from the head, foot, or either side for a full range of exposure angles.

Column supports tabletop and includes lift cylinders, bearings, hydraulic piping, hydraulic actuators for Trendelenburg, tilt and electrical wiring. These components are enclosed by six telescoping stainless-steel column shrouds. The stainless-steel shrouds are of two-piece construction for service accessibility. Hand Control and optional Foot Control connect at top of column.

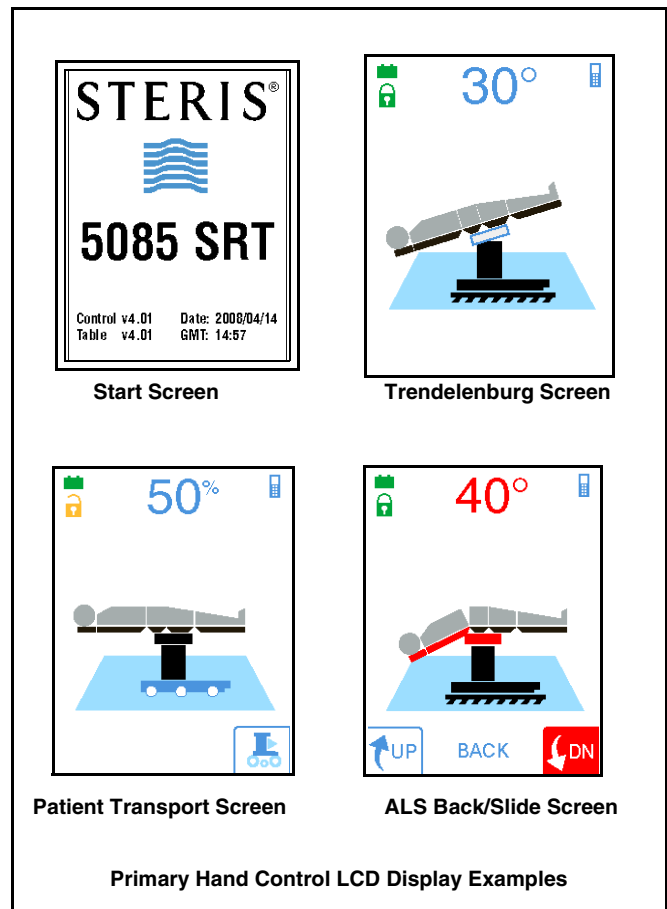
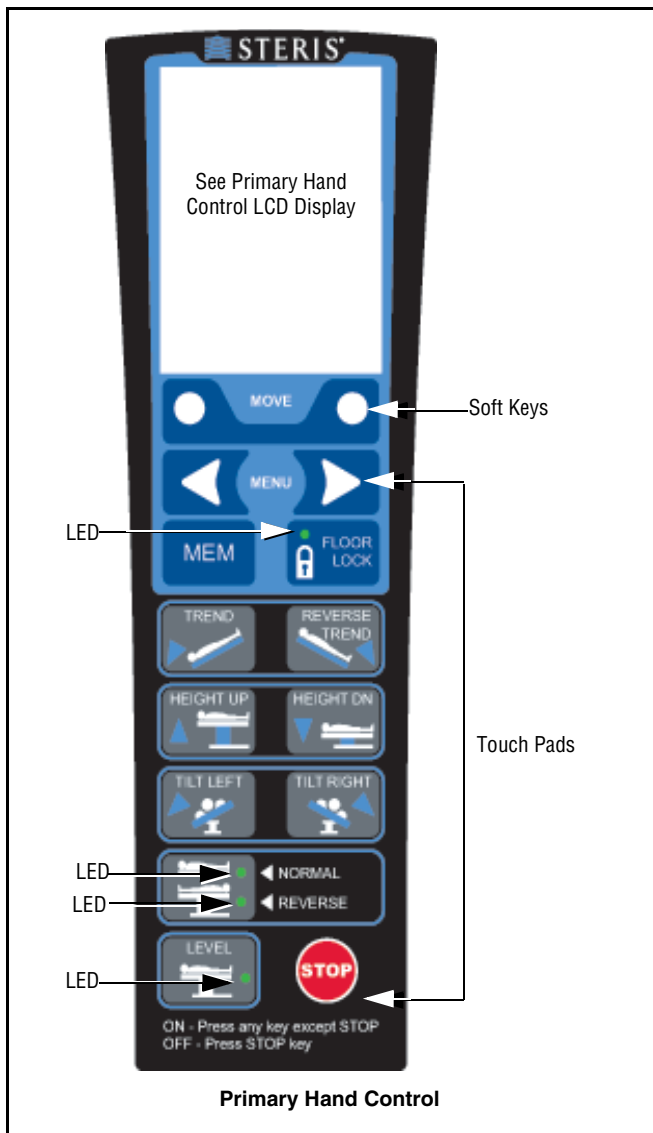
Base structure is painted welded steel. The base cover is a two-section, stainless-steel enclosure with a brushed finish. Four large diameter swivel casters and a drive wheel inside the base cover facilitate table relocation and movement. Four mechanical, hydraulically operated, floor-locks are supplied. The power supply assembly and floor lock actuators are also within the base. Table power cord is plugged into a receptacle centered on the base head-end cover. Master computer and Backup Hand Control are also stored in the base behind a cover plate. Included are: SLIDE HEAD/FOOT, HEIGHT UP/DOWN, TREND./REV. TREND., TILT RIGHT/LEFT, BACK UP/DOWN, LEG UP/DOWN, KIDNEY UP/DOWN, and LOCK/UNLOCK switch.



Electric controlled system provides powered tabletop positioning. Hydraulic actuators perform all powered table motions (except Zip-Slide movable tabletop which is powered by an electric motor). The primary control system is a master computer located in the table base. This computer selects which outputs are to be actuated based on inputs from an auxiliary CPU in the pendant Hand Control and/or optional foot control. The Hand Control is a tethered pendant that hangs from standard side rails. Hand control provides user inputs (from touch pad switches via an auxiliary CPU) to the master computer. It also includes status LEDs and tabletop position indicators. A Backup Hand Control, located in the table base, and optional ACT Enabled interface to Operating Room Control Systems (ORCS) enable all table actuations.

Electrical System (the input ac electrical power) is fed by a detachable three-wire grounded power cord. An isolating transformer and a rectifier circuit convert the power to 24 Vdc for use by the operating and control systems. Fuses protect the circuits from overloads. The Hand Control (an auxiliary CPU) and optional foot control consist of switches that open or close to signal the computer in the table column. The Hand Control includes feedback LEDs. If ac main power fails, the battery system can be used to power the table. The battery system is activated by ensuring the Main Power Switch on the front of the table base is ON and depressing any button on the Hand Control. *The batteries are continuously charging as long as the table is supplied with the appropriate ac voltage and the Main Power Switch is in the ON position.*

Pendant Primary Hand Control is ergonomically designed. It is constructed of two-piece injection molded thermoplastic materials holding and sealing the auxiliary CPU and keypad. The Hand Control is the primary interface for table operation and the keypad is illuminated for easy table articulation identification when room is dark. Hand Control is equipped with a 7-1/2' (2.3 m) extended detachable long cord. The Hand Control plugs into a receptacle located at the top of the column.



- TREND/REVERSE TREND
- HEIGHT UP/ HEIGHT DN
- TILT LEFT/ TILT RIGHT
- LEVEL
- STOP

NOTE: The LCD Display values are approximate. Their accuracy may vary according to environmental conditions (e.g., altitude, humidity, temperature). Also, if a sensor is not operating properly, the value indicated may be incorrect. Check patient positioning visually before proceeding.

Foot Control System can be actuated at any time and will allow table operation in the event of primary control or power malfunction. A pedal (foot pump) provides hydraulic power if necessary. This foot pedal is located at the side of the table base. UNLOCK and SLIDE functions do not require foot pump actuation.

Backup (Override) Control System can be actuated at any time and will allow table operation in the event of primary control or power malfunction. A pedal (foot pump to provide hydraulic power) and Backup Hand Control (see illustration) comprise this system. The Hand Control is located at table leg end behind a cover plate and stored in the table base. The foot pedal is located at the side of the table base. Included functions on Backup Hand Control are: SLIDE HEAD/FOOT, HEIGHT UP/DOWN, TREND./REV. TREND., TILT RIGHT/LEFT, BACK UP/DOWN and FLOOR LOCK/UNLOCK.

UNLOCK and SLIDE functions do not require foot pump actuation. A green LED on the Backup Hand Control indicates the system is active.

Membrane touch switches provide, through an auxiliary CPU, input signals to activate table functions and articulations. LED indicators, LCD Display (see illustration) and soft keys provide the following table operation information:

LCD includes:

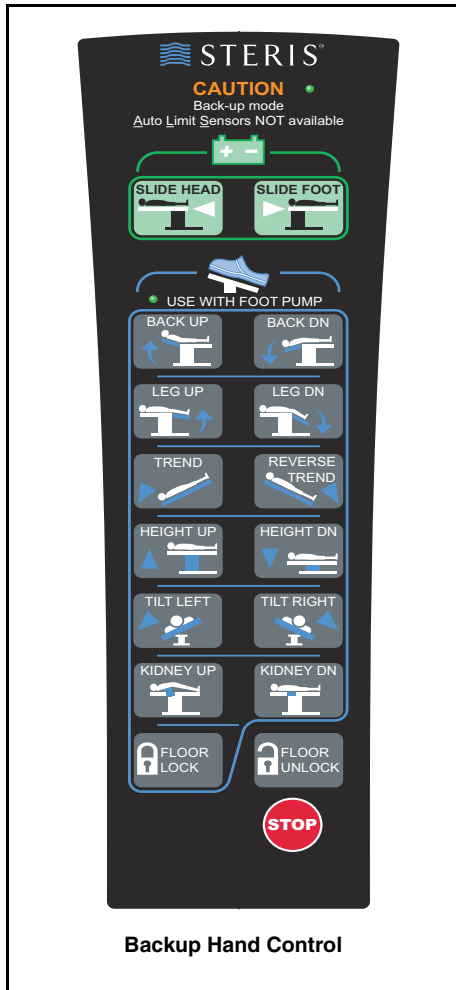
- Auto Limit Sensors
- Battery Power
- Low Battery
- Maintenance Required
- Tabletop Positioning (FLEX/REFLEX, SLIDE HEAD/FOOT, BACK UP/DOWN, LEG UP/DOWN and KIDNEY UP/DOWN)
- Patient Transport

LEDs include:

- FLOOR LOCK
- NORMAL and REVERSE Patient Orientation
- LEVEL

Touch Pads include:

- Menu Navigation (Forward and Backward)
- Programmed positions in combination with LCD (i.e., Beach Chair and Pivot Mode)
- Floor Lock Activation



Backup Hand Control

Patient Transport can be actuated at any time provided the floor locks are unlocked and the patient is in the correct specified transport orientation (Transport mode). Patient security is assured through the use of removable/lockable **patient safety barriers** and patient straps. Patient transport is possible through a battery powered drive wheel. The user controls the table steering. Deceleration and stopping is accomplished by motor braking while moving forward. Forward and reverse directional controls are incorporated into the special **Drive Head Section** and allow for proportional speed control (see picture). The patient transport feature also enables the user to pivot a patient (around the center of the drive wheel) for table repositioning.

The Patient Transport offers the following functions when operating on a level surface:

- Table Speed: *Forward* ≤1.9 mph (≤3 km/h); *Reverse* ≤1.2 mph (≤2 km/h)
- Table Weight Capacity: 600 lb (272 kg)
- Stopping Distance (at 2 mph [3 kmh] with 600 lb patient): ≤2' (0.6 m) with motor braking in forward motion

Drive Head Section is a cordless removable manually operated table section containing the user control features for the Patient Transport feature. The Drive Head Section (see picture) incorporates two buttons: a drive engage/disengage (when user pushes button the drive wheel engages) and direction (forward and reverse). The Drive Head Section also

incorporates a center latch permitting the user to articulate the head section from +60° to -90° in 10° increments. For added security, the Drive Head Section has a locking feature preventing section from inadvertent removal.

TABLE OPERATION

Press the desired position touch pad on the hand pendant or optional foot control to position/articulate the STERIS 5085 SRT Surgical Table tabletop (refer to Operator Manual).

The following pre-operative actions must be completed before the table can be used:

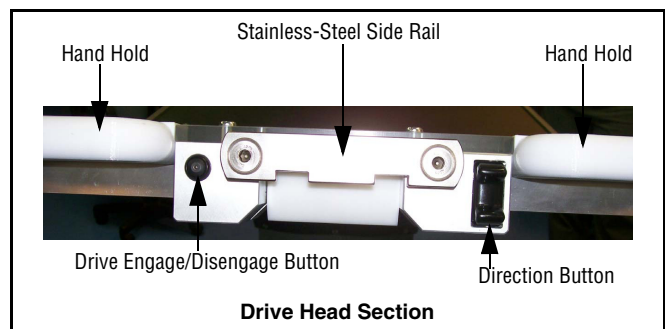
- **Power activation:** Use battery power or plug the table power cord into both table base and facility power receptacle. Toggle Main Power Switch to ON for facility ac power.
- **Turn the table on:** Press any button on the Hand Control to turn table ON.
- **Lock the table:** Press the FLOOR LOCK button on the Hand Control and then the LOCK button to order the floor locks into the "locked" position.

Auto Limit Sensor™ control device (using the Intelligent Limit Sensors) provides instant user feedback on conflicting tabletop articulations when the table is positioned in standard configuration and how to resolve the conflict.

TABLE MOTION

Refer to illustration Page 7 for the following ranges of table motion:

- Flex/Reflex: 140°/100°±1°
- Slide Motion: HEAD: 9" (227 mm)
FOOT: 9" (227 mm) from center
- Height Range: 22.8 to 42.5" (581 to 1080 mm)
- Trendelenburg Range: 30°±1°
- Reverse Trendelenburg Range: 30°±1°
- Tilt Range: 20°±1°
- Back Section Motion: UP: 80°±1°
DOWN: 40°±1°
- Leg Section Motion: UP: 0°
DOWN: 105°±1°
- Kidney Elevator Mechanism: 4" (110 mm)
- Head Section (Manual): UP: 60°±1°
DOWN: 90°±1°, 10° increments



Drive Head Section

OPTIONS

STERIS 5085 SRT Surgical Tables are configured to anticipate the future implementation of ACT (Advanced Control Technology) software protocol. This interface would enable the communication link to various Operating Room Control Systems (ORCS) [not provided by STERIS]. Integration ORCS software protocols would need to be validated by the integrator. The ACT protocol would be validated at the time of implementation.

PREVENTIVE MAINTENANCE

Customers are encouraged to contact STERIS concerning our comprehensive preventive maintenance program. Under the terms of this program, preventive maintenance, adjustments, and replacement of worn parts are provided on a scheduled basis to help ensure optimal equipment performance and help avoid untimely or costly interruptions. STERIS maintains a global staff of well equipped, factory-trained technicians to provide these services, as well as expert repair services. Please contact STERIS for details.

NOTES

1. Approximate Table Operating Weight: 850 lbs (386 kg).
2. Patient Weight Capacity:
 - **1200 lb (544 kg)** load; with the ability to rotate and raise/lower table but no tabletop articulation or slide.
 - **1000 lb (454 kg)** load; with the ability to rotate and all patient posturing but without tabletop slide.
 - **600 lb (272 kg)** load; with the ability to rotate, all posturing, transport feature and tabletop slide.

3. STERIS 5085 SRT Surgical Table accessories have specific weight claims/capacities. Accessories may limit table patient weight capacity.

4. A patient grounding post/potential equalization terminal (male connector, DIN 42801) is provided with the table. The female connector for patient grounding is not furnished by STERIS.

5. WARNING – EXPLOSION HAZARD: *Table must not be used in the presence of flammable anesthetics.*

6. For further product information refer to Operator Manual (413724-247) or contact STERIS corporation.

UTILITY REQUIREMENTS

Power Source:

Battery/Electric-Powered Table

Line Power Input:

100/120/220/230-240 V ac (Jumper Selectable), 1 Ø, 50/60 Hz, 4.0 Amp

Environmental Use Conditions:

Temperature: 50 - 104°F (10 - 40°C)

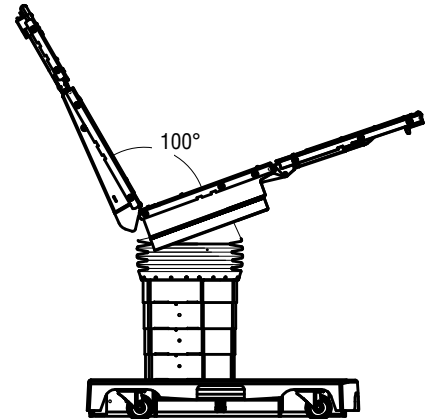
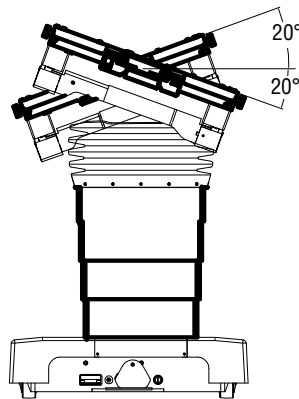
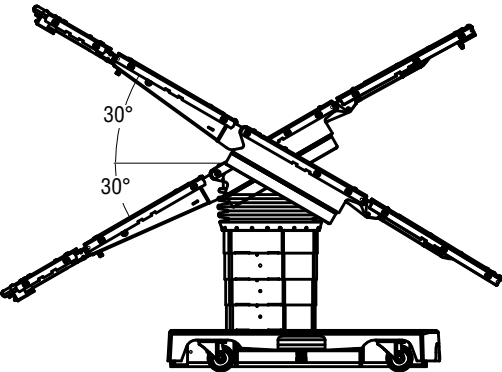
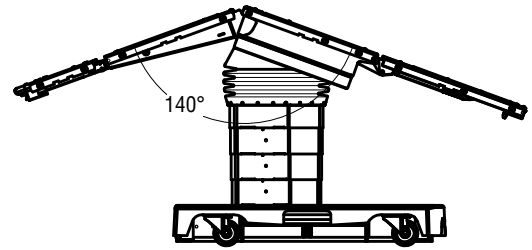
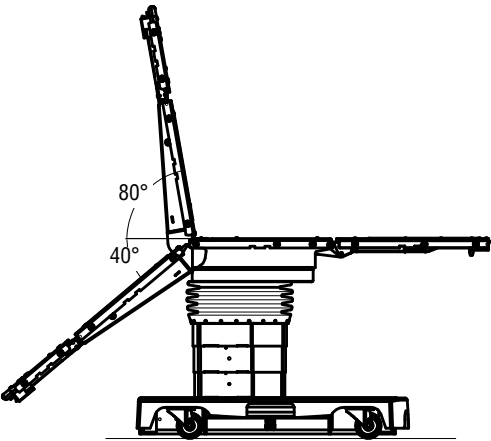
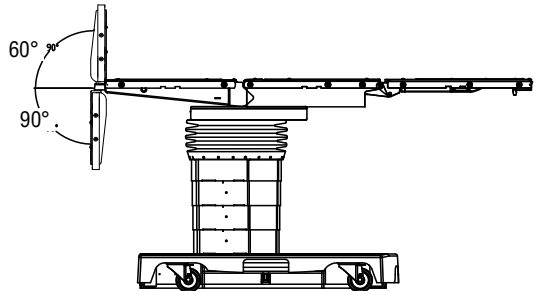
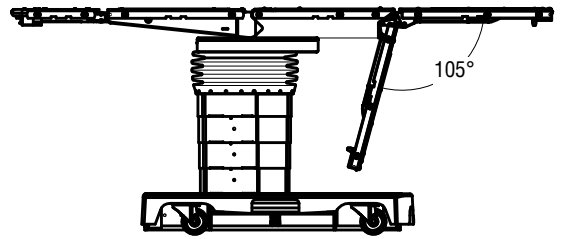
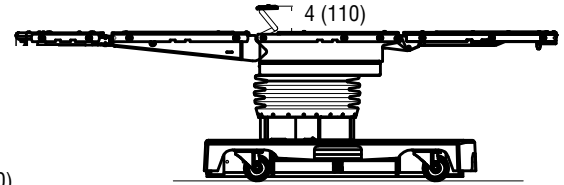
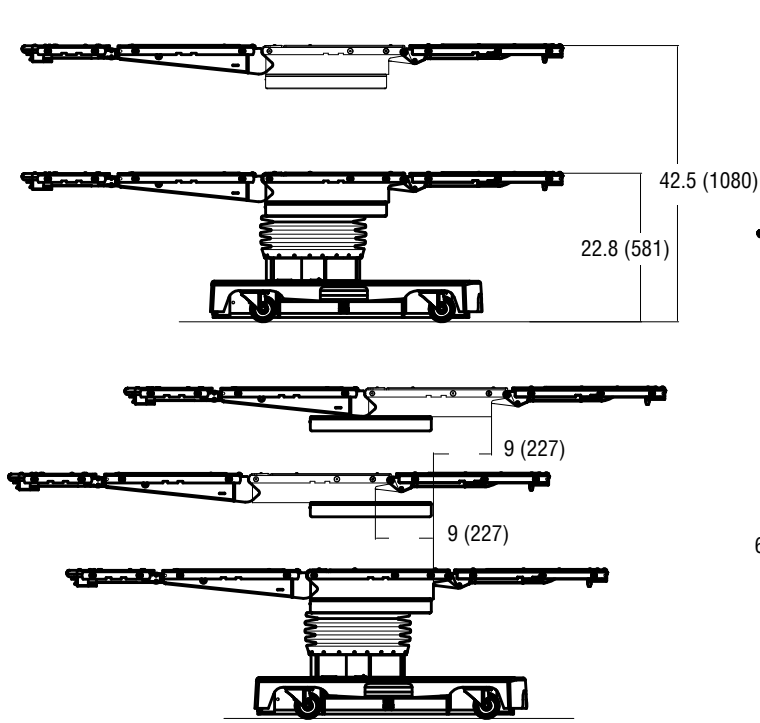
Relative Humidity (RH): 20 - 80%

CUSTOMER IS RESPONSIBLE FOR COMPLIANCE WITH APPLICABLE LOCAL AND NATIONAL CODES AND REGULATIONS.

The base language of this document is ENGLISH. Any translations must be made from the base language document.

Dimensions are inches (mm). SAE measurements are approximate based on metric dimensions.

Dimensions are typical - drawing is not to scale.



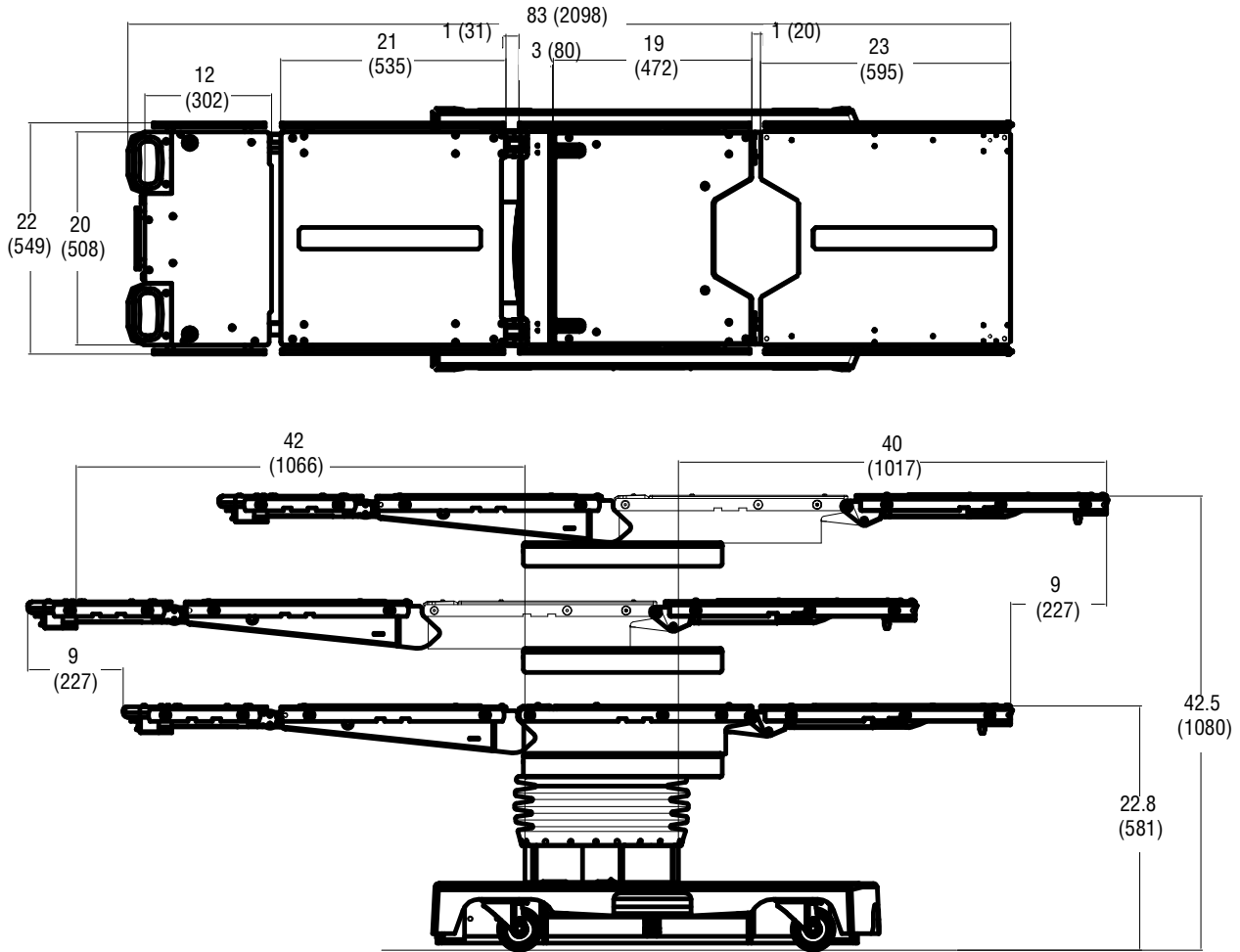
STERIS 5085 SRT Surgical Table Range Of Motion (Typical)

Reference the following equipment drawing for installation details

Equip. Dwg. No.	Equipment Drawing Title
413724-502	STERIS 5085 SRT Surgical Table

Dimensions are typical - drawing is not to scale.

Dimensions are inches (mm). SAE measurements are approximate based on metric dimensions.



WARNING – EXPLOSION HAZARD: Table must not be used in the presence of flammable anesthetics.

For Further Information, contact:



Global Headquarters
 STERIS Corporation
 5960 Heisley Road
 Mentor, OH 44060-1834 • USA
 440-354-2600 • 800-548-4873
 www.steris.com

This document is intended for the exclusive use of STERIS Customers, including architects or designers. Reproduction in whole or in part by any party other than a Customer is prohibited.